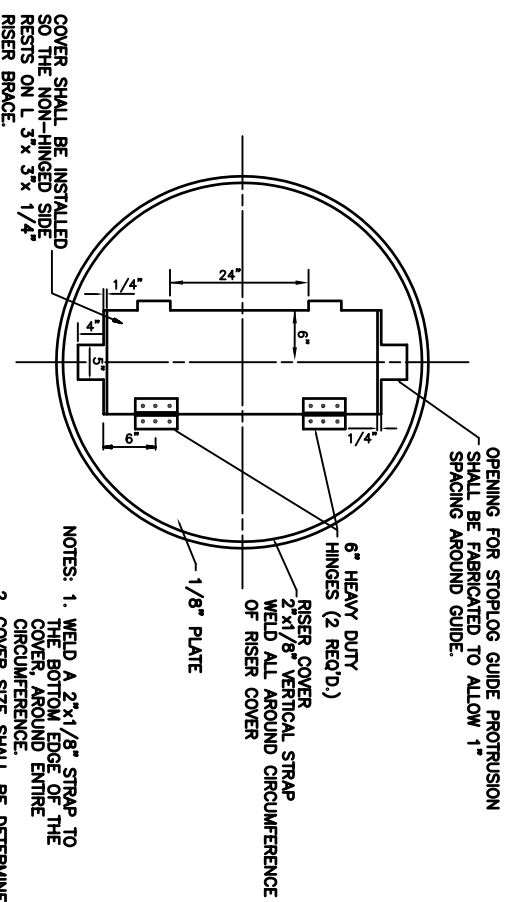
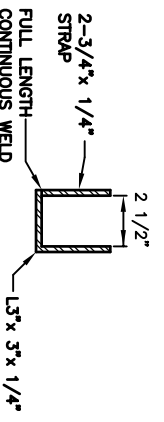
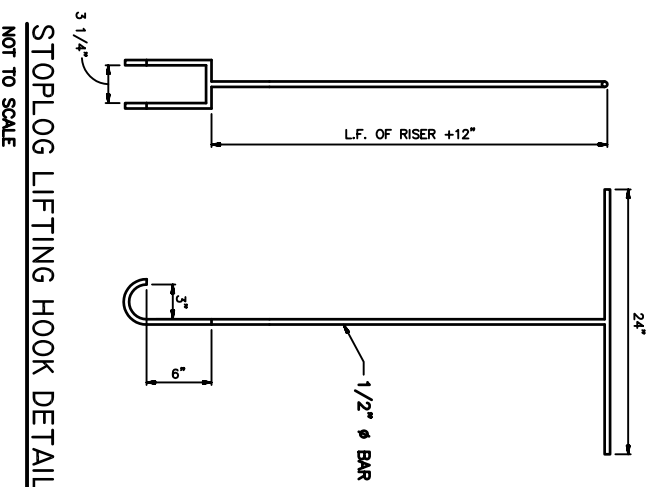
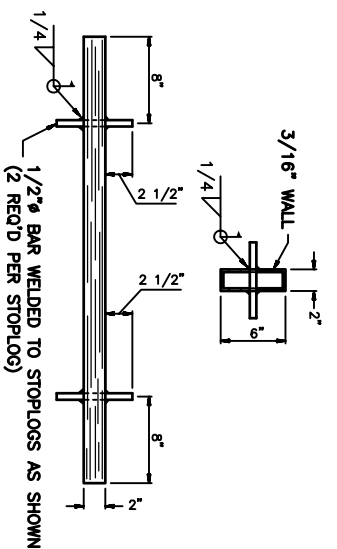
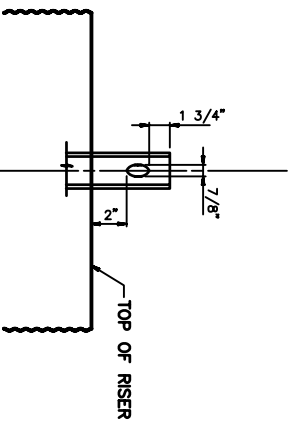
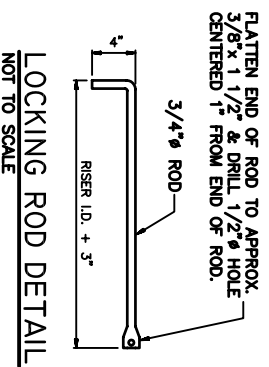


STOPLOG GUIDE DETAIL
NOT TO SCALE



RISER COVER DETAIL
NOT TO SCALE



NOTICE: DUCKS UNLIMITED INC. ACCEPTS NO RESPONSIBILITY FOR THE QUALITY OF THE CONSTRUCTION. GUIDES UNLIMITED, INC. SHALL NOT ASSUME ANY RESPONSIBILITY FOR THE SAFETY OF THE WORK OR THE DESIGN OF ANY STRUCTURE. PERSONS ENJOYING THE WORK, HEAVY STRUCTURES OR OTHER PERSONS AT THE WORK SHOULD BE ADVISED OF THE SAFETY OF THE WORK. UNLESS OTHERWISE NOTED, ALL DIMENSIONS ARE IN INCHES. UNLESS OTHERWISE NOTED, ALL DIMENSIONS SHALL BE TO FACE UNLESS OTHERWISE NOTED. ALL DIMENSIONS SHALL BE TO FACE UNLESS OTHERWISE NOTED.

FULL ROUND RISER DETAILS
1



DUCKS UNLIMITED INC.
Global Leader in Wetlands & Wildlife Conservation

GREAT LAKES/ATLANTIC REGIONAL OFFICE
ANN ARBOR, MICHIGAN (734) 623-2000

DESIGNED BY:	---
DRAWN BY:	---
SURVEYED BY:	---
BOOK NO.:	---
DATE:	---
PROJECT NO.:	US-00-000-0
GLARC-000-000-00	